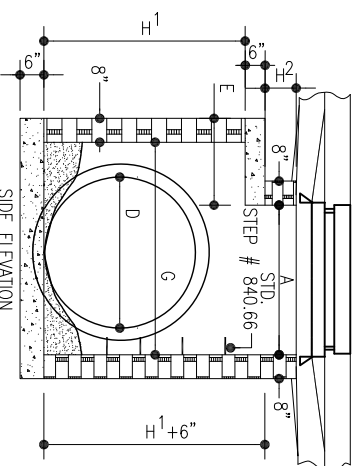
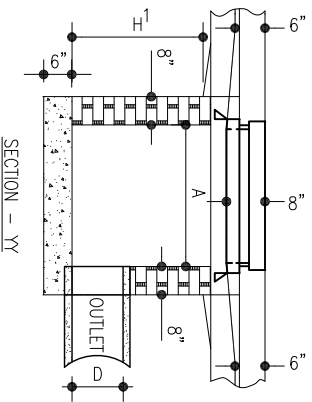


WHERE 30' TO 36" PIPE IS USED.
SECTION - JJ

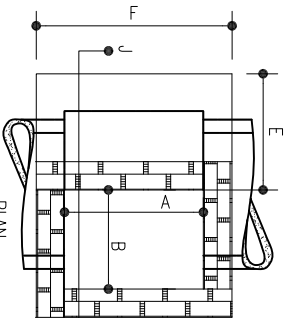


WHERE 42" TO 54" PIPE IS USED.
SECTION - MM

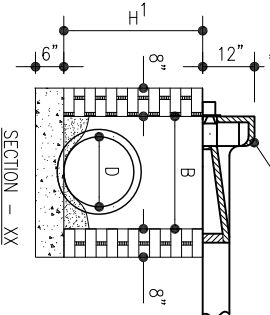
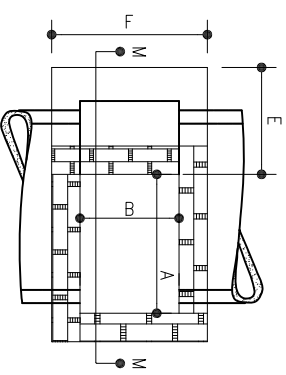


GENERAL NOTES:

MORTAR JOINTS 1/2" 1/8" THICK.
3000 P.S.I. CONCRETE TO BE USED.
THE POURING OF FLOOR SLAB TO BE ACCOMPLISHED BY FORMING.
ALL CATCH BASINS OVER 3'-6" IN DEPTH SHALL BE PROVIDED WITH STEPS 1'-2" ON CENTERS.
USE TYPE "E", "F", & "G" GRATE UNLESS OTHERWISE INDICATED.
JUMBO BRICK WILL BE PERMITTED. CONCRETE BRICK OR 4" SOLID CONCRETE BLOCKS MAY BE USED IN LIEU OF CLAY BRICKS.
FOR 8'-0" IN HEIGHT OR LESS USE 8" WALL. OVER 8'-0" IN HEIGHT USE 12" WALL TO 6'-0" FROM TOP OF WALL, 8" WALL FOR THE REMAINING 6'-0".
INVERTS SHALL BE SHAPED TO FORM A SMOOTH, REGULAR SURFACE, SLOPED TO PREVENT SEDIMENTATION.



FRAME, GRATE, & HOOD
STD. # 840.038



ADOPTED FROM NCDOT
STANDARD NO. 840.01
PAGE 1 OF 2

DETAIL NOT TO SCALE

STANDARD BRICK CATCH BASIN (15" thru 54" PIPE)

STORM DRAINAGE

Detail SW-3

Town of Hope Mills, North Carolina

February 28, 2015 Original

