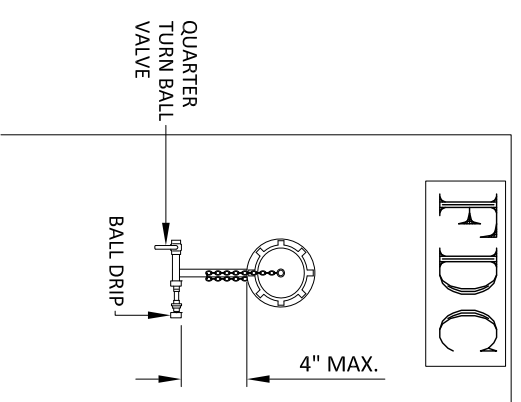


TYPICAL NOTES:

- 1)-ALL PIPING AND FITTINGS TO BE DUCTILE IRON, GALVANIZED BRASS, STAINLESS STEEL, OR ALUMINUM.
- 2)-40' MAX. FROM FDC TO APPARATUS ACCESS LOCATION.
- 3)-FDC TO FACE FIRE APPARATUS ACCESS LOCATION (DRIVEWAY)
- 4)-DO NOT BLOCK APPARATUS ACCESS TO BUILDING WITH HOSE. LAY FROM HYDRANT TO FDC.
- 5)-MINIMUM DISTANCE 3 FEET BEHIND CURB, PROTECT FROM VEHICLES.
- 6)-PROVIDE HEAT AND ALARM SUPERVISION TO HOT BOX (2 CONDUITS).
- 7)-COMPLY WITH PUBLIC UTILITIES HANDBOOK REQUIREMENTS.

DETAIL NOT TO SCALE



## INLINE RETROFIT DETAIL (VAULT)

### FIRE PROTECTION

Detail FP-18B

Town of Hope Mills, North Carolina

February 28, 2015 Original

