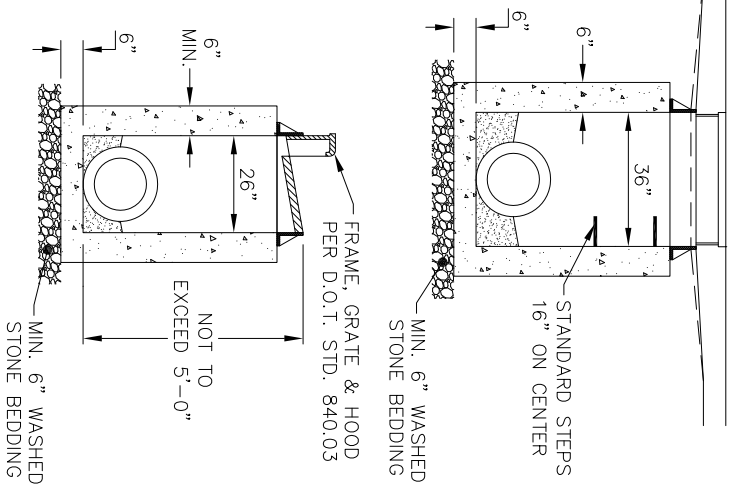


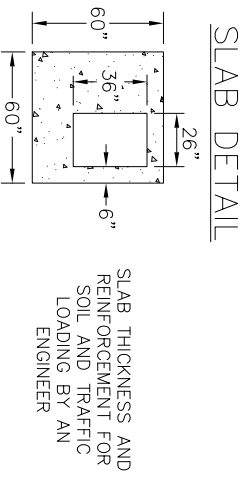
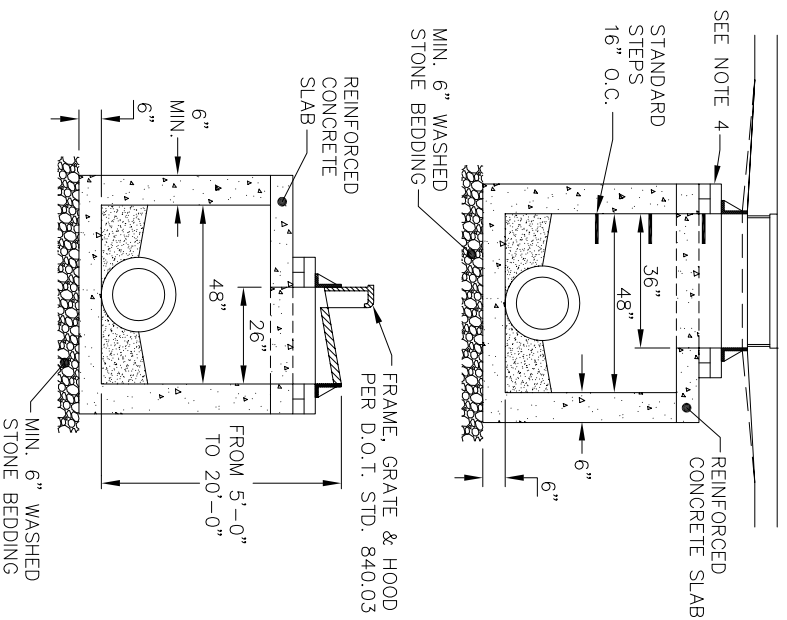
SHALLOW TYPE
(5 FEET OR LESS IN DEPTH)



- NOTES:**
1. CONCRETE SHALL BE 4000 P.S.I. MINIMUM FOR ALL PRECAST CONCRETE CATCH BASINS.
 2. PRECAST CONCRETE STRUCTURES MAY ONLY BE INSTALLED TO DEPTHS CERTIFIED AS ACCEPTABLE BY THE MANUFACTURER.
 3. "WAFLE" BOXES ARE ACCEPTABLE FOR SHALLOW TYPE CATCH BASINS.
 4. BRICK MAY BE USED TO ADJUST FRAME, GRATE & HOOD TO SURFACE ELEVATION A MAXIMUM OF 12 INCHES.

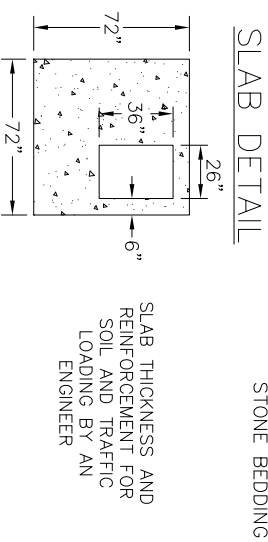
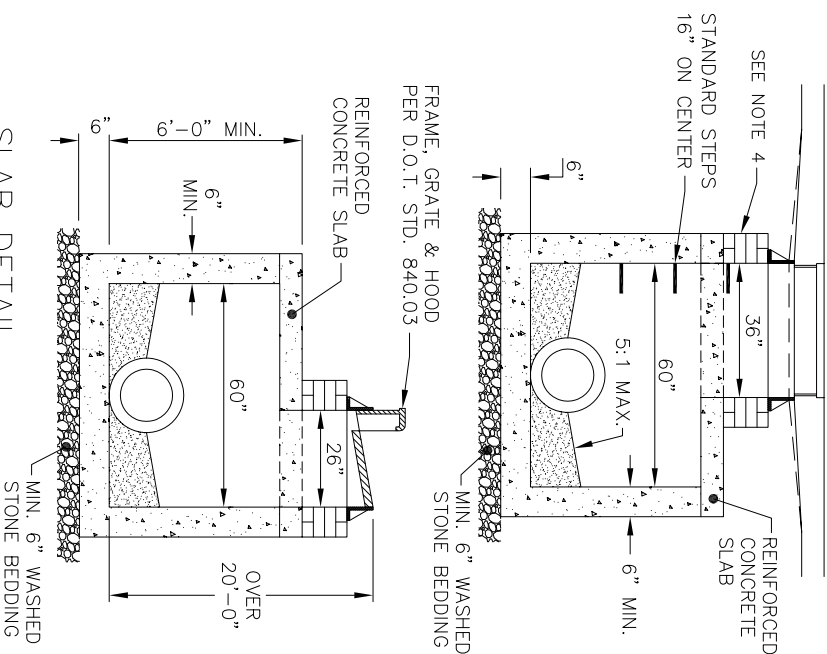
DETAIL NOT TO SCALE

INTERMEDIATE TYPE (4'X4')
(5 FEET TO 20 FEET IN DEPTH)



SLAB THICKNESS AND REINFORCEMENT FOR SOIL AND TRAFFIC LOADING BY AN ENGINEER

DEEP TYPE (5'X5')
(OVER 20 FEET IN DEPTH)



SLAB THICKNESS AND REINFORCEMENT FOR SOIL AND TRAFFIC LOADING BY AN ENGINEER

STANDARD PRECAST CONCRETE CATCH BASIN

STORM DRAINAGE

Detail SW-28

Town of Hope Mills, North Carolina

February 28, 2015 Original

