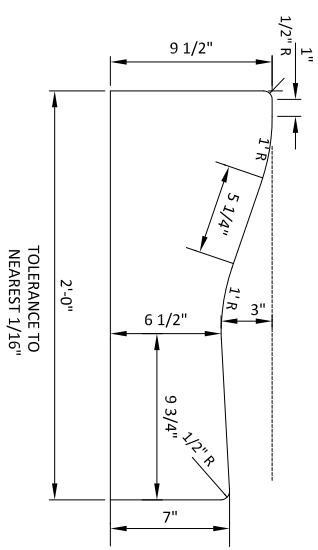
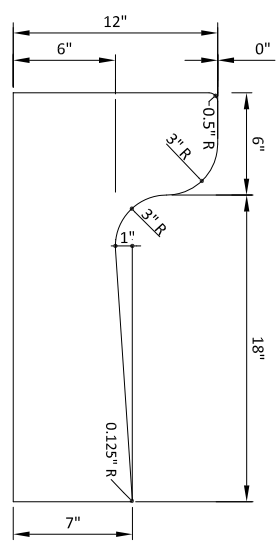


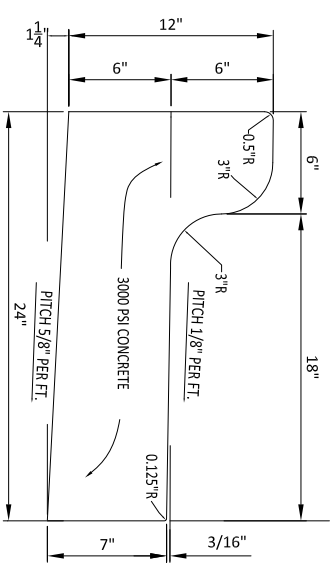
TYPICAL 24" ROLL-BACK CURB



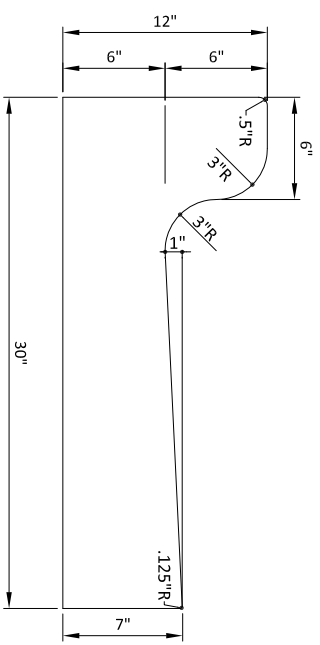
TYPICAL 24" VERTICAL CURB



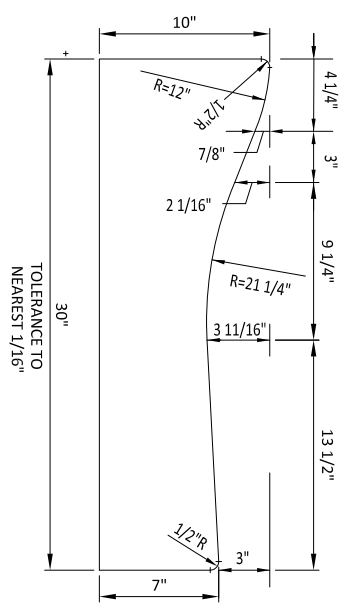
TYPICAL 24" SPILL-OFF CURB



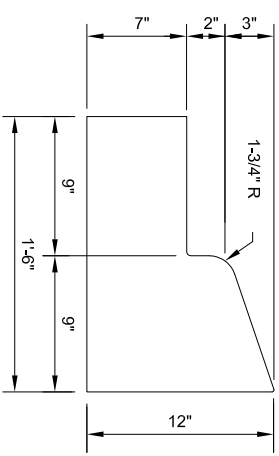
TYPICAL 30" VERTICAL CURB



TYPICAL 30" ROLL CURB



MEDIAN CURB AND GUTTER SIDE ELEVATION



NOTE:
DUMMY GROOVE JOINTS EVERY 10'
EXPANSION JOINTS EVERY 30'

4" COMPACTED A.B.C. UNDER STANDARD CURB & GUTTER (MIN)

NO VALLEY CURB SHALL BE USED AT INTERSECTIONS, HYDRANTS, ETC.

DETAIL NOT TO SCALE

18", 24" and 30" CURB DETAILS

STREET DESIGN

Detail ST-1



Town of Hope Mills, North Carolina

February 28, 2015 Original